

5-V, LOW POWER, 16-BIT, 200-KSPS SERIAL ANALOG-TO-DIGITAL CONVERTERS WITH AUTO-POWER DOWN

FEATURES

- 200-KSPS Sampling Rate
- Built-In Conversion Clock
- INL: ± 2.5 LSB Max,
DNL: 2 to -1 LSB Max
- SINAD = 84.5 dB, SFDR = 95 dB,
THD = 94 dB at 15 kHz f_{in} , 200 KSPS
- SPI/DSP-Compatible Serial Interfaces With
SCLK Input up to 15 MHz
- Single 5-V Supply
- Rail-to-Rail Analog Input With 500 kHz BW
- Two Input Options Available:
 - TLC4541 – Single Channel Input
 - TLC4545 – Single Channel,
Pseudo-differential Input
- (TLC4541) Optimized DSP Interface –
Requires FS Input Only
- Low Power With Auto-Power Down
 - Operating Current: 3.5 mA
 - Auto-Power Down Current: 5 μ A
- Pin Compatible 12/14/16-Bit Family in 8-Pin
SOIC and MSOP Packages

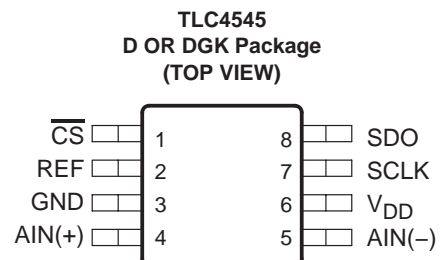
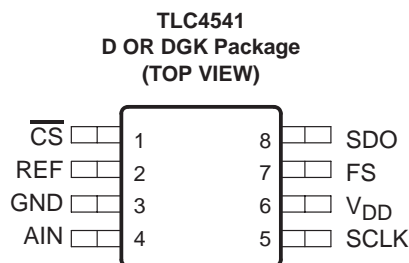
APPLICATIONS

- ATE System
- Industrial Process Control
- Measurement
- Motor Control

DESCRIPTION

The TLC4541 and TLC4545 are a family of high performance, 16-bit, low power, miniature CMOS analog-to-digital converters (ADCs). These devices operate from a single 5-V supply. Devices are available with single, dual, or single pseudo-differential inputs. All of these devices have a chip select (\overline{CS}), serial clock (SCLK), and serial data output (SDO) that provides a direct 3-wire interface to the serial port of most popular host microprocessors (SPI interface). When interfaced with a DSP, a frame sync signal (FS) is used to indicate the start of a serial data frame on either pin 1 (\overline{CS}) or pin 7 (FS) for the TLC4541. The TLC4545 ADC connects to the DSP via pin 1 only (\overline{CS}).

The TLC4541 and TLC4545 are designed to operate with low power consumption. The power saving feature is further enhanced with an auto-power down mode. This product family features a high-speed serial link to modern host processors with an external SCLK up to 15 MHz. Both families use a built-in oscillator as the conversion clock, providing a 2.94 μ s maximum conversion time.



Please be aware that an important notice concerning availability, standard warranty, and use in critical applications of Texas Instruments semiconductor products and disclaimers thereto appears at the end of this data sheet.

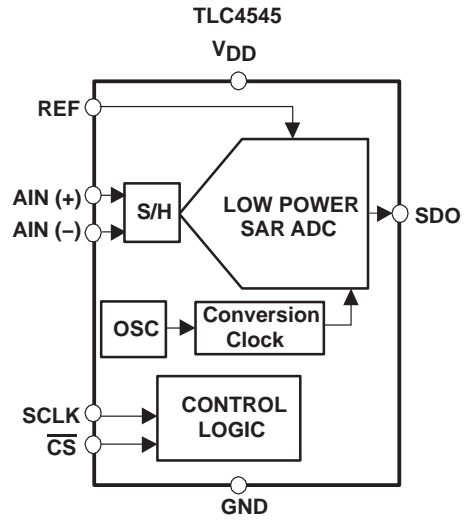
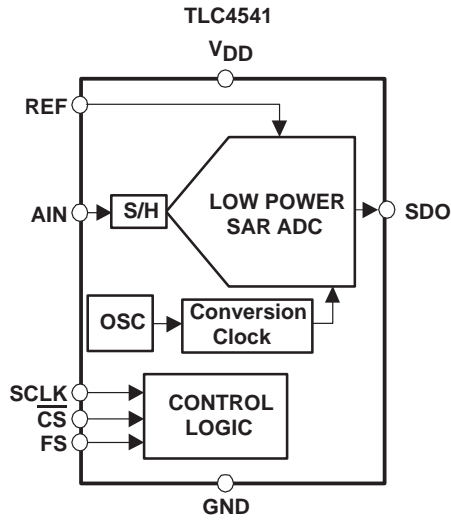
TLC4541, TLC4545

SLAS293 – DECEMBER 2001

AVAILABLE OPTIONS

T _A	PACKAGED DEVICES	
	8-MSOP (DGK)	8-SOIC (D)
-40°C to 85°C	TLC4541IDGK (PKG Code = ALM)	TLC4541ID
	TLC4545IDGK (PKG Code = AME)	TLC4545ID

functional block diagram



Terminal Functions

TLC4541 single channel unipolar ADCs

TERMINAL NAME	NO.	I/O	DESCRIPTION
AIN	4	I	Analog input channel
$\overline{\text{CS}}$	1	I	Chip select. A high-to-low transition on the $\overline{\text{CS}}$ input removes SDO from a high-impedance state within a maximum delay time. If the TLC4541 is attached to a dedicated TMS320 DSP serial port using the FS input, $\overline{\text{CS}}$ can be grounded.
FS	7	I	DSP frame sync input. Indication of a start of a serial data frame. A low-to-high transition removes SDO from the high-impedance state and the MSB is presented. Tie this pin to V_{DD} if not used.
GND	3	I	Ground return for the internal circuitry. Unless otherwise noted, all voltage measurements are with respect to GND.
SDO	8	O	The 3-state serial data output for the A/D conversion result. SDO is kept in the high-impedance state when $\overline{\text{CS}}$ is high. The output format is MSB first. Remaining data bits are presented on the rising edge of SCLK. When FS is not active (FS = 1 at the falling edge of $\overline{\text{CS}}$): The MSB is presented on the SDO pin on the falling edge of $\overline{\text{CS}}$ after a maximum delay time. Data is valid on each falling edge of SCLK until all data is read. When FS is active (FS = 0 at the falling edge of $\overline{\text{CS}}$): The MSB is presented to the SDO output on the rising edge of FS. Data is valid on the falling edge SCLK and changes on the rising edge SCLK (this is typically used with an active FS from a DSP). SDO returns to the high-impedance state after the 17th rising edge on SCLK. If a 17th SCLK cycle is not presented, as is the case when using an SPI host, SDO returns to the high-impedance state on the rising edge of $\overline{\text{CS}}$.
SCLK	5	I	Serial clock. This terminal receives the serial SCLK from the host processor.
REF	2	I	External voltage reference input
V_{DD}	6	I	Positive supply voltage

TLC4545 single channel pseudo-differential ADCs

TERMINAL NAME	NO.	I/O	DESCRIPTION
AIN0 (+)	4	I	Positive analog input for the TLC4545.
AIN1 (-)	5	I	Inverted analog input for the TLC4545.
$\overline{\text{CS}}$	1	I	Chip select. A high-to-low transition on $\overline{\text{CS}}$ removes SDO from the high-impedance state within a maximum delay time. The $\overline{\text{CS}}$ input can be connected to a DSP frame sync (FS) output when a dedicated TMS320 DSP serial port is used.
GND	3	I	Ground return for the internal circuitry. Unless otherwise noted, all voltage measurements are with respect to GND.
SDO	8	O	The 3-state serial data output for the A/D conversion result. SDO is kept in the high-impedance state when $\overline{\text{CS}}$ is high and presents output data after the $\overline{\text{CS}}$ falling edge until the LSB is presented. The output format is MSB first. The remaining data bits are presented on the rising edge of SCLK. Output data is valid on each falling edge of SCLK until all data is read. SDO returns to the high-impedance state after the 17th rising edge on SCLK. If a 17th SCLK cycle is not presented, as is the case when using an SPI host, SDO returns to the high-impedance state on the rising edge of $\overline{\text{CS}}$.
SCLK	7	I	Serial clock. This terminal receives the serial SCLK from the host processor.
REF	2	I	External voltage reference input
V_{DD}	6	I	Positive supply voltage

absolute maximum ratings over operating free-air temperature (unless otherwise noted)†

Supply voltage, GND to V_{DD}	-0.3 V to 6.5V
Analog input voltage range	-0.3 V to $V_{DD}+0.3$ V
Reference input voltage	$V_{DD}+0.3$ V
Digital input voltage range	-0.3 V to $V_{DD}+0.3$ V
Operating virtual junction temperature range, T_J	-40°C to 150°C
Operating free-air temperature range: T_A (I)	-40°C to 85°C
Storage temperature range, T_{stg}	-65°C to 150°C
Lead temperature 1,6 mm (1/16 inch) from case for 10 seconds	260°C

† Stresses beyond those listed under “absolute maximum ratings” may cause permanent damage to the device. These are stress ratings only, and functional operation of the device at these or any other conditions beyond those indicated under “recommended operating conditions” is not implied. Exposure to absolute-maximum-rated conditions for extended periods may affect device reliability.

recommended operating conditions

		MIN	NOM	MAX	UNIT
Supply voltage, V_{DD}		4.5	5	5.5	V
Frequency, SCLK	$V_{DD} = 2.7$ V to 5.5 V	100		15000	kHz
Tolerable clock jitter, SCLK	$V_{DD} = 2.7$ V to 5.5 V			24	ps
Aperature jitter	$V_{DD} = 2.7$ V to 5.5 V		100		ps
External reference voltage input, V_{REF}		4		V_{DD}	V
VREF input impedance	$V_{DD} = 5$ V, $\overline{CS} = 1$, SCLK = 0	100			MΩ
	$V_{DD} = 5$ V, $\overline{CS} = 0$, SCLK = 15 MHz	20	25		kΩ
External reference input current	$V_{DD} = V_{REF} = 4.5$ V, $\overline{CS} = 0$, SCLK = 15 MHz		0.02	1	mA
Analog input voltage	AIN, AIN(+)	0		V_{DD}	V
	AIN(-)	-0.2		0.2	
High level control input voltage, V_{IH}		2.1			V
Low level control input voltage, V_{IL}				0.8	V
Operating free-air temperature, T_A	TLC4541/451	-40		85	°C

electrical characteristics over recommended operating free-air temperature range,
 $V_{DD} = 5\text{ V}$, $V_{REF} = 4.096\text{ V}$, SCLK frequency = 15 MHz (unless otherwise noted)

PARAMETER		TEST CONDITIONS	MIN	TYP	MAX	UNIT
V_{OH}	High-level output voltage	$V_{DD} = 4.5\text{ V}$, $I_{OH} = -0.2\text{ mA}$	3.9			V
V_{OL}	Low-level output voltage	$V_{DD} = 4.5\text{ V}$, $I_{OL} = 0.8\text{ mA}$			0.4	V
I_{OZ}	Off-state output current (high-impedance-state)	$V_O = V_{DD}$, $\overline{CS} = V_{DD}$		1	2.5	μA
		$V_O = 0$, $\overline{CS} = V_{DD}$		-1	-2.5	
I_{IH}	High-level input current	$V_I = V_{DD}$		0.005	2.5	μA
I_{IL}	Low-level input current	$V_I = 0$		-0.005	2.5	μA
I_{CC}	Operating supply current	\overline{CS} at 0 V, $V_{DD} = 4.5\text{ V}$ to 5.5 V			3.5	mA
$I_{CC(PD)}$	Power-down supply current	For all digital inputs, $0 \leq V_I \leq 0.3\text{ V}$ or $V_I \geq V_{DD} - 0.3\text{ V}$, SCLK= V_{DD} , $V_{DD} = 4.5\text{ V}$ to 5.5 V		3	5	μA
	Selected analog input channel leakage current	Selected channel at V_{DD}			1	μA
		Selected channel at 0 V			-1	
C_i	Input capacitance	Analog inputs		11	14	pF
		Control Inputs		20	25	
Z_i	Input resistance	$V_{DD} = 5.5\text{ V}$			500	Ω

ac specifications (TLC4541/45)

PARAMETER		TEST CONDITIONS	MIN	TYP	MAX	UNIT
SINAD	Signal-to-noise ratio + distortion	$f_I = 15\text{ kHz}$ at 200 KSPS		84.5		dB
SNR	Signal-to-noise ratio	$f_I = 15\text{ kHz}$ at 200 KSPS		85		
THD	Total harmonic distortion	TLC4541	$f_I = 15\text{ kHz}$ at 200 KSPS	-94	-87	dB
		TLC4545	$f_I = 15\text{ kHz}$ at 200 KSPS	-94	-89	
ENOB	Effective number of bits	$f_I = 15\text{ kHz}$ at 200 KSPS		13.7		Bits
SFDR	Spurious free dynamic range	TLC4541	$f_I = 15\text{ kHz}$ at 200 KSPS	-95	-87	dB
		TLC4545	$f_I = 15\text{ kHz}$ at 200 KSPS	-95	-89	
	Full power bandwidth, -3 dB, analog input			1		MHz
	Full power bandwidth, -1 dB, analog input			500		kHz
Crosstalk		0.25 LBS		80		dB

dc specifications (TLC4541/45)

PARAMETER		TEST CONDITIONS	MIN	TYP†	MAX	UNIT
INL	Integral linearity error (see Note 1)		-2.5		2.5	LSB
DNL	Differential linearity error		-1		2	LSB
E_O	Offset error (see Note 2)	TLC4541	-3.5		3.5	mV
		TLC4545	-1		1	
E_G	Gain error (see Note 2)	TLC4541	-2		2	mV
		TLC4545	-1.8		1.8	

† All typical values are at $V_{DD} = 5\text{ V}$, $T_A = 25^\circ\text{C}$.

- NOTES: 1. Linear error is the maximum deviation from the best straight line through the A/D transfer characteristics.
 2. Zero error is the difference between 0000h and the converted output for zero input voltage; full-scale error is the difference between ideal full-scale and the converted output for full-scale input voltage.

TLC4541, TLC4545

SLAS293 – DECEMBER 2001

timing requirements, $V_{DD} = 5\text{ V}$, $V_{REF} = 4.096\text{ V}$, SCLK frequency = 15 MHz (unless otherwise specified)

		MIN	TYP	MAX	UNIT
$t_{cyc}(\text{SCLK})$	SCLK cycle time, $V_{DD} = 4.5\text{ V}$ to 5.5 V (see Note 3)	66		10000	ns
t_{w1}	Pulse width, SCLK low	27		5000	ns
t_{w2}	Pulse width, SCLK high	27		5000	ns
t_{h1}	Hold time, $\overline{\text{CS}}$ high after SCLK falling edge	3			ns
t_{su1}	Setup time, $\overline{\text{CS}}$ falling edge before the first SCLK falling edge	15			ns
t_{h2}	Hold time, $\overline{\text{CS}}$ low after 16th SCLK falling edge	5			ns
t_{w3}	Pulse width, $\overline{\text{CS}}$ high	0.5			SCLKs
t_{d1}	Delay time, $\overline{\text{CS}}$ falling edge to SDO MSB valid, $V_{DD} = V_{REF} = 4.5\text{ V}$, 20 pF		12	17	ns
t_{d2}	Delay time, SCLK rising edge to next SDO data bit valid, $V_{DD} = V_{REF} = 4.5\text{ V}$, 20 pF			15	ns
t_{d3}	Delay time, 17 th SCLK rising edge to SDO 3-stated, $V_{DD} = V_{REF} = 4.5\text{ V}$, 20 pF (see Note 4)			20	ns
t_{su3}	Setup time, $\overline{\text{CS}}$ falling edge before FS rising edge (TLC4541 only)	0.5	1		SCLKs
t_{w4}	Pulse width, FS high (TLC4541 only)	0.5	1		SCLKs
t_{su4}	Setup time, FS rising edge before SCLK falling edge (TLC4541 only)	12.5			ns
t_{h4}	Hold time, FS high after SCLK falling edge (TLC4541 only)	5			ns
t_{su5}	Setup time, FS falling edge before 1st SCLK falling edge (TLC4541 only)	12			ns
t_{d4}	Delay time, FS rising edge to SDO MSB valid, ($V_{DD} = V_{REF} = 4.5\text{ V}$, 20 pF TLC4541 only)			15	ns
t_{h6}	Hold time, $\overline{\text{CS}}$ low after 1st SCLK falling edge	5			ns
t_{su6}	Setup time, $\overline{\text{CS}}$ rising edge before 9th (or the last) SCLK falling edge	5			ns
t_{h7}	Hold time, FS low after 1st SCLK falling edge (TLC4541 only)	5			ns
t_{su7}	Setup time, FS rising edge before 9th (or the last) SCLK falling edge	5			ns
$t_{cyc}(\text{reset})$	Active $\overline{\text{CS}}$ /FS cycle time, SCLK falling edges required to initialize ADC	1		8	SCLKs
t_{conv}	Conversion time (22 conversion clocks based on 7.5-MHz to 12-MHz OSC)	1.83		2.94	μs
t_s	Sample time, 20 SCLKs, SCLK up to 15 MHz	1.33		200	μs

NOTES: 3. Timing specifications given for 40/60 to 60/40 duty cycle

4. SDO goes into the high impedance state after detection of the 17th rising SCLK edge or a rising $\overline{\text{CS}}$ edge if a 17th SCLK is not presented.

TYPICAL CHARACTERISTICS

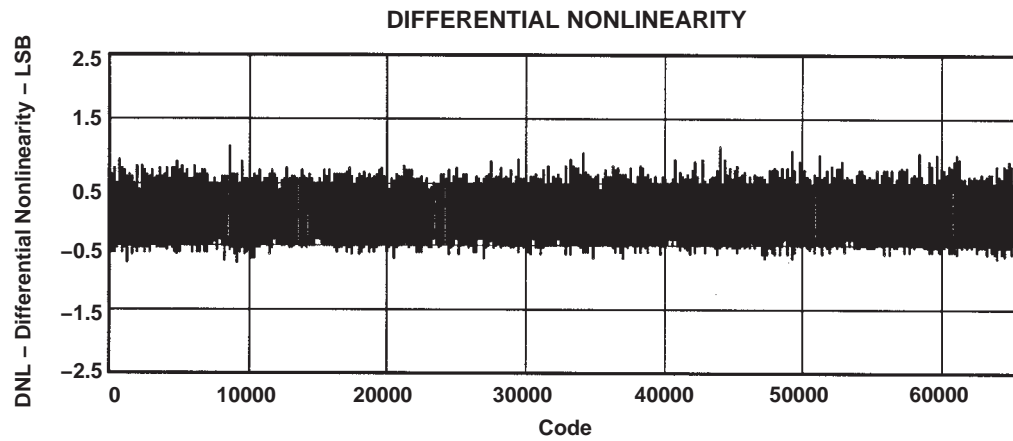


Figure 1

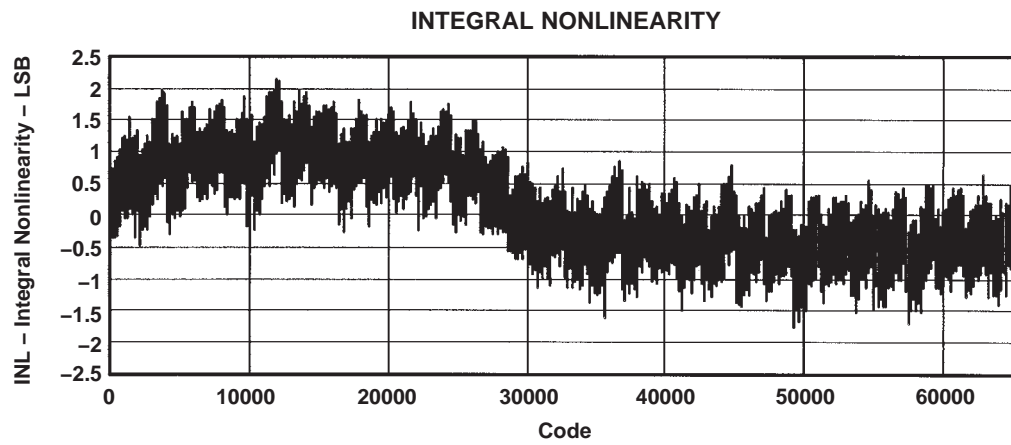


Figure 2

TYPICAL CHARACTERISTICS

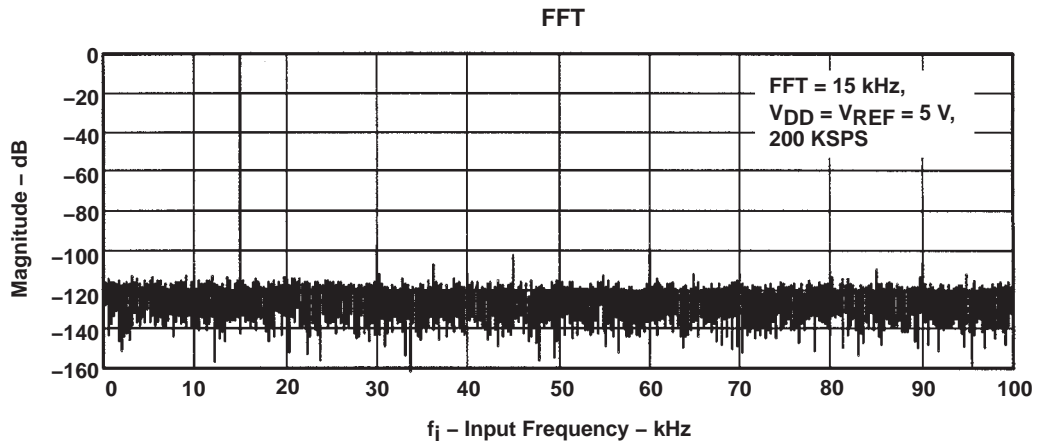


Figure 3

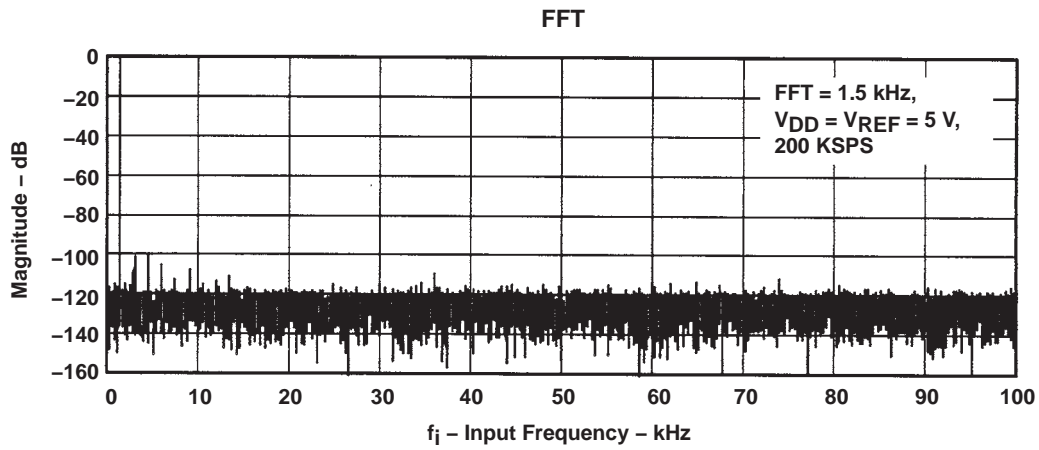


Figure 4

TYPICAL CHARACTERISTICS

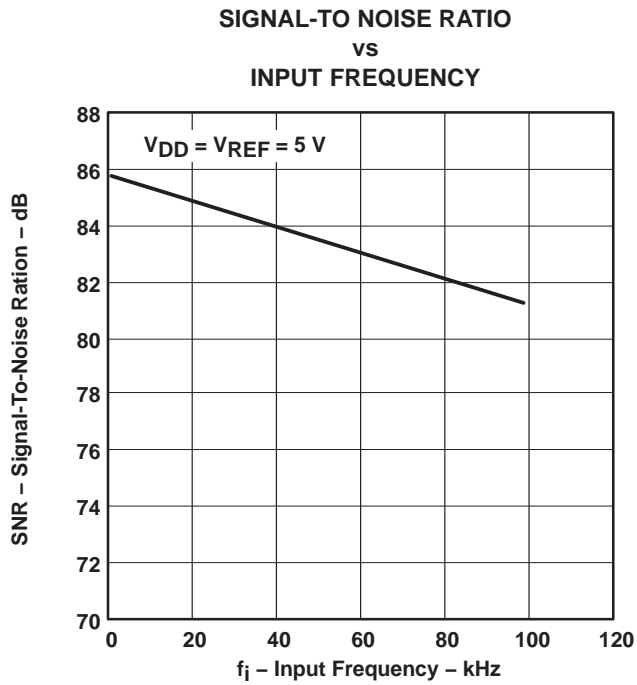


Figure 5

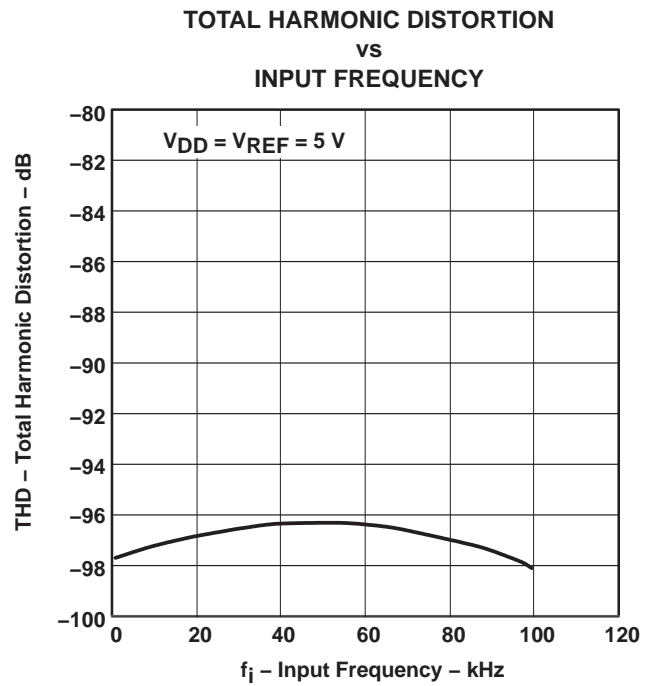


Figure 6

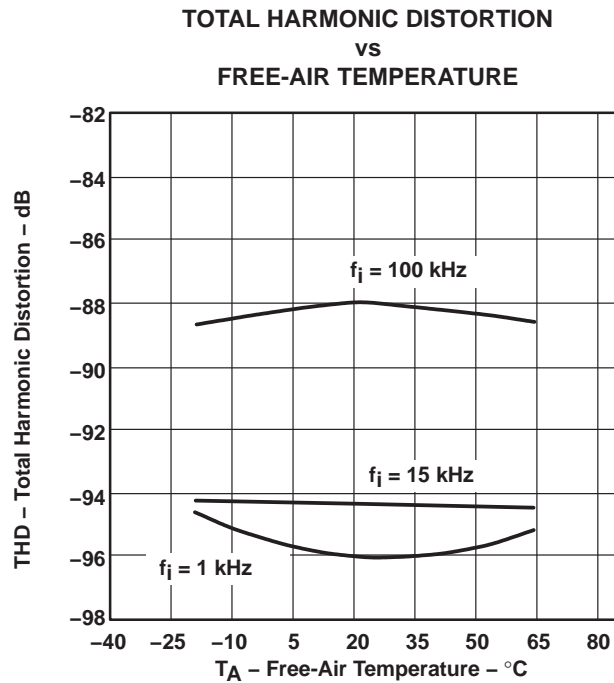


Figure 7

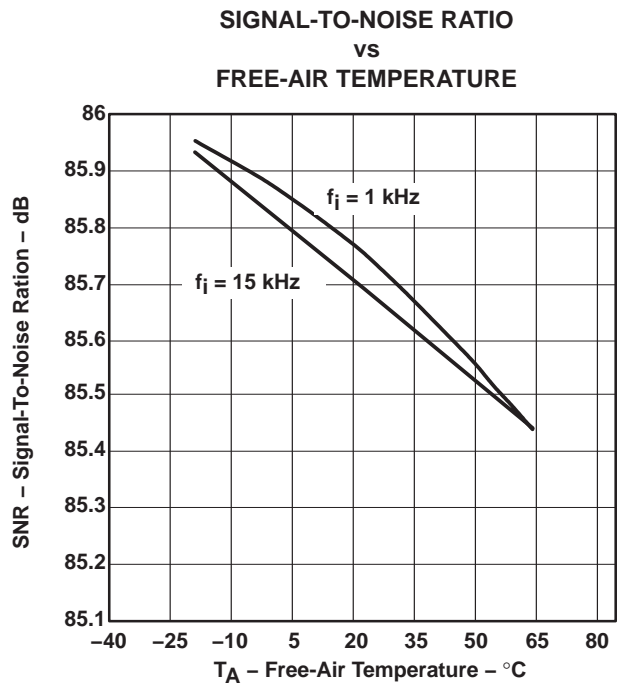


Figure 8

TYPICAL CHARACTERISTICS

TOTAL HARMONIC DISTORTION
vs
REFERENCE VOLTAGE

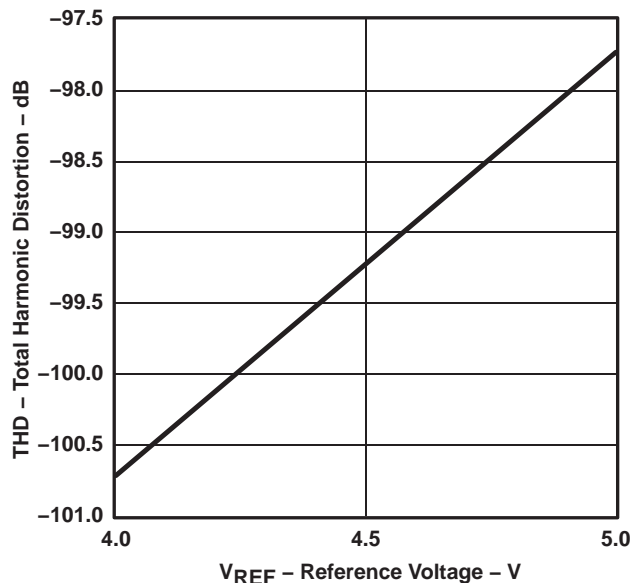


Figure 9

SIGNAL-TO-NOISE RATIO
vs
REFERENCE VOLTAGE

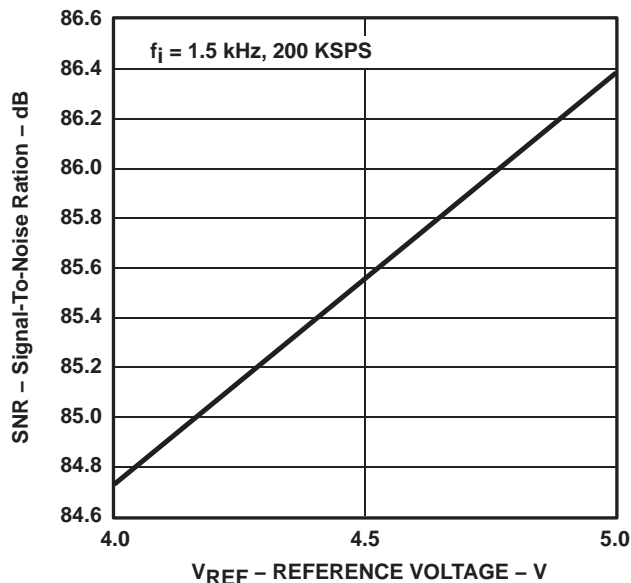


Figure 10

MAXIMUM DIFFERENTIAL NONLINEARITY
vs
REFERENCE VOLTAGE

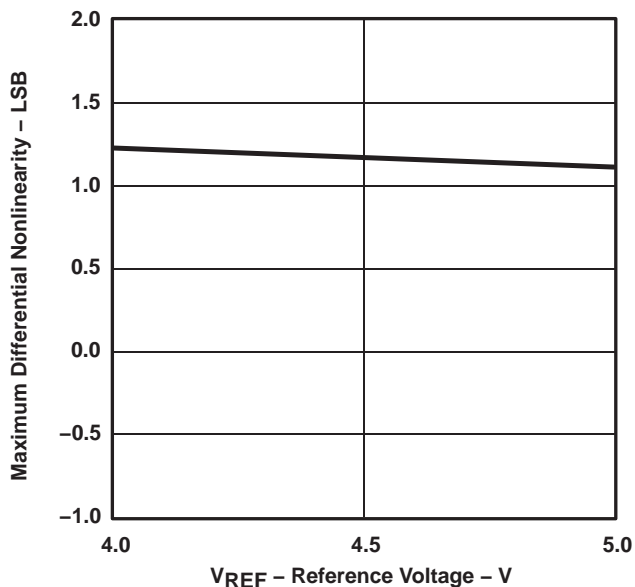


Figure 11

MINIMUM DIFFERENTIAL NONLINEARITY
vs
REFERENCE VOLTAGE

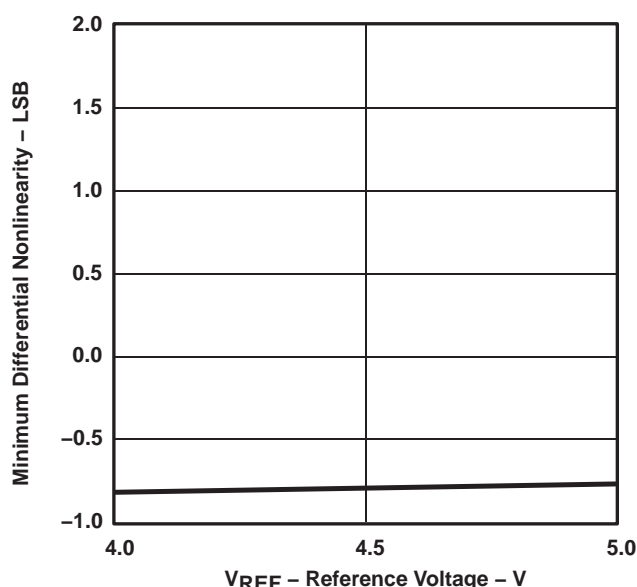


Figure 12

TYPICAL CHARACTERISTICS

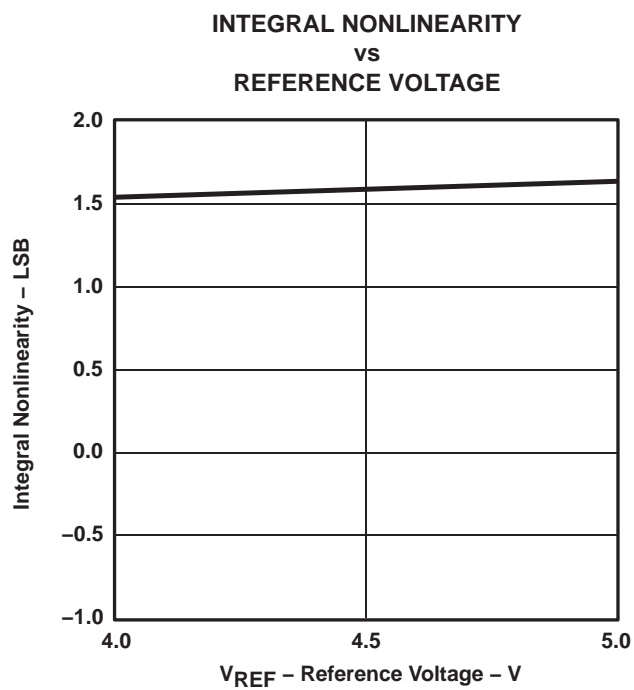


Figure 13

PRINCIPLES OF OPERATION

control and timing

device initialization/RESET cycle

The TLC4541/45 each require one RESET cycle after power-on for initialization in order to operate properly. This RESET cycle is initiated by asserting the \overline{CS} pin (pin 1) low for a minimum duration of at least one SCLK falling edge but no more than 8 SCLK falling edges in length. The RESET cycle is terminated by asserting \overline{CS} high. If a valid RESET cycle is issued, the data presented on the SDO output during the following cycle is FF00h. This output code is useful in determining when a valid reset/initialization has occurred.

The TLC4541 has separate \overline{CS} and FS pins. In this case, it is also possible to initiate the RESET cycle by asserting FS low if \overline{CS} is already low. The RESET cycle can be terminated by either asserting \overline{CS} high (as shown in the first RESET cycle in Figure 14), or by asserting FS high (as shown in the second RESET cycle in Figure 14), whichever happens first.

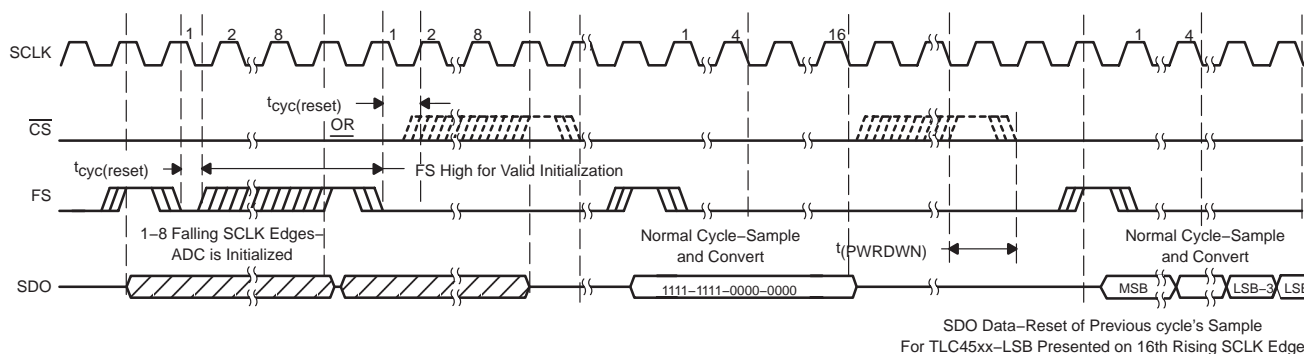


Figure 14. TLC4541/45 Initialization Timing

sampling

The converter sample time is 20 SCLKs in duration, beginning on the 5th SCLK received during an active signal on the \overline{CS} input (or FS input for the TLC4541.)

conversion

Each device completes a conversion in the following manner. The conversion is started after the 24th falling SCLK edge. The \overline{CS} input can be released at this point or at any time during the remainder of the conversion cycle. The conversion takes a maximum of 2.94 μ s to complete. Enough time (for conversion) should be allowed before the next falling edge on the \overline{CS} input (or rising edge on the FS input for the TLC4541) so that no conversion is terminated prematurely. If the conversion cycle is terminated early, the data presented on SDO during the following cycle is FF00h. This predefined output code is helpful in determining if the cycle time is not long enough to complete the conversion. The same code is also used to determine if a reset cycle is valid.

For all devices, the SDO data presented during a cycle is the result of the conversion of the sample taken during the previous cycle. The output data format is shown in the following table.

SERIAL OUTPUT DATA FORMAT		
	MSB [D15:D2]	LSB [D1:D0]
TLC4541/45	Conversion Result (OD15-OD2)	Conversion Result (OD1 – OD0)

PRINCIPLES OF OPERATION

control and timing (continued)

sampling and conversion cycle

TLC4541:

Control via pin 1, \overline{CS} (FS = 1 at the falling edge of \overline{CS})– The falling edge of \overline{CS} is the start of the cycle. Transitions on \overline{CS} can occur when SCLK is high or low. The MSB may be read on the first falling SCLK edge after \overline{CS} is low. Output data changes on the rising edge of SCLK. This control method is typically used for a microcontroller with an SPI interface, although it can also be used for a DSP. The microcontroller SPI interface should be programmed for CPOL=0 (serial clock inactive low) and CPHA=1 (data valid on the falling edge of serial clock).

Control via pin 7, FS (\overline{CS} is tied/held low)– The rising edge of FS is the start of the cycle. Transitions on FS can occur when SCLK is high or low. The MSB is presented on SDO after the rising edge of FS. The MSB may be read on the first falling edge of SCLK after the FS falling edge. Output data changes on the rising edge of SCLK. This is the typical configuration when the ADC is the only device on the TMS320 DSP serial port.

Control via pin 1 and pin 7, \overline{CS} and FS– Transitions on \overline{CS} and FS can occur when SCLK is high or low. The MSB is presented after the rising edge of FS. The falling edge of FS is the start of the sampling cycle. The MSB may be read on the first falling edge of SCLK after the FS falling edge. Output data changes on the rising edge of SCLK. This is typically used for multiple devices connected to a single TMS320 DSP serial port.

TLC4545:

All control is provided using the \overline{CS} input (pin 1) on the TLC4545. Transitions on \overline{CS} can occur when SCLK is high or low. The cycle is started on the falling edge transition on the \overline{CS} input. This signal can be provided by either a \overline{CS} signal (when interfacing with an SPI microcontroller) or FS signal (when interfacing with a TMS320 DSP). The MSB is presented to SDO on the falling edge of the signal applied to pin 1 and may be read on the first falling SCLK edge after this input is low. Output data changes on the rising edge of SCLK.

control modes

control via pin 1 (\overline{CS} , SPI interface)

All devices are compatible with this mode of operation. A falling edge on the \overline{CS} input initiates the cycle. (For the TLC4541, the FS input is tied to V_{DD}). The \overline{CS} input remains low for the entire sampling time plus 4 SCLK decoding time (16 falling SCLK edges) and can then be released at any point during the remainder of the conversion. Enough time should be allowed before the next falling \overline{CS} edge so that the conversion cycle is not terminated prematurely. The microcontroller SPI interface should be programmed for CPOL=0 (serial clock inactive low) and CPHA=1 (data is valid on the falling edge of serial clock).

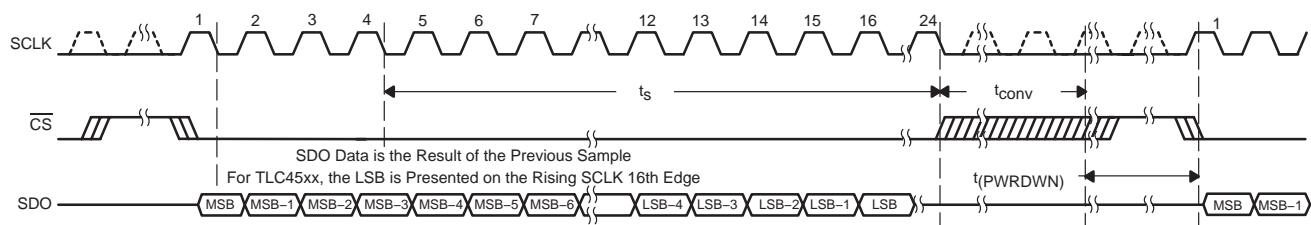


Figure 15. SPI Cycle Timing Using the CS Input (FS = 1 for TLC4541)

PRINCIPLES OF OPERATION

control via pin 1 (\overline{CS} , DSP interface)

All devices are compatible with this mode of operation. The FS signal from a DSP is connected directly to the \overline{CS} input of the ADC. A falling edge on the \overline{CS} input while SCLK is high or low initiates the cycle. (For TLC4541 in this configuration, the FS input is tied to V_{DD} .) Enough time should be allowed before the next rising \overline{CS} edge so that the conversion cycle is not terminated prematurely.

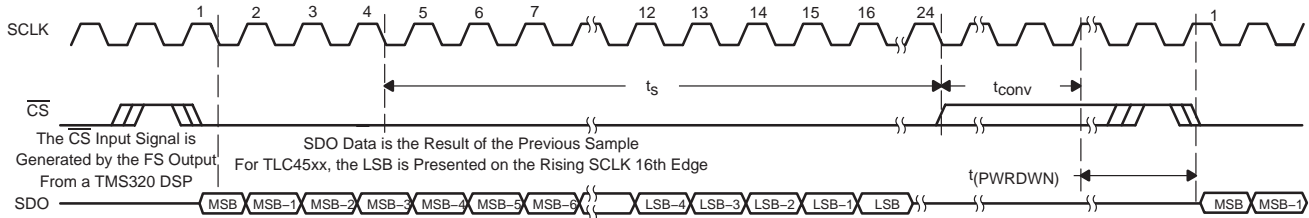


Figure 16. DSP Cycle Timing Using the CS Input (FS = 1 for TLC4541 Only)

control via pin 1 and pin 7 (\overline{CS} and FS or FS only, DSP interface)

Only TLC4541 is compatible with this mode of operation. The \overline{CS} input to the ADC can be controlled via a general-purpose I/O pin from the DSP or tied to ground. The FS signal from the DSP is connected directly to the FS input of the ADC. A rising FS edge releases the MSB to the SDO output. The falling edge on the FS input while SCLK is high or low initiates the cycle. The \overline{CS} input should remain low for the entire sampling time plus 4 SCLK decoding time after falling FS (24 falling SCLK edges) and can then be released at any time during the remainder of the conversion cycle. The optimum DSP interface is achieved when tying \overline{CS} to ground and using only the FS input to control the ADC.

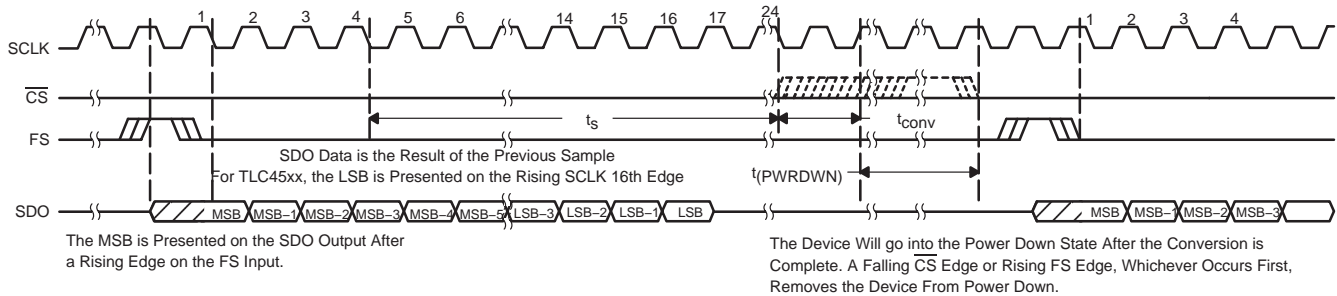


Figure 17. DSP Cycle Timing Using FS Only (or Using Both \overline{CS} and FS for the TLC4541)

PRINCIPLES OF OPERATION

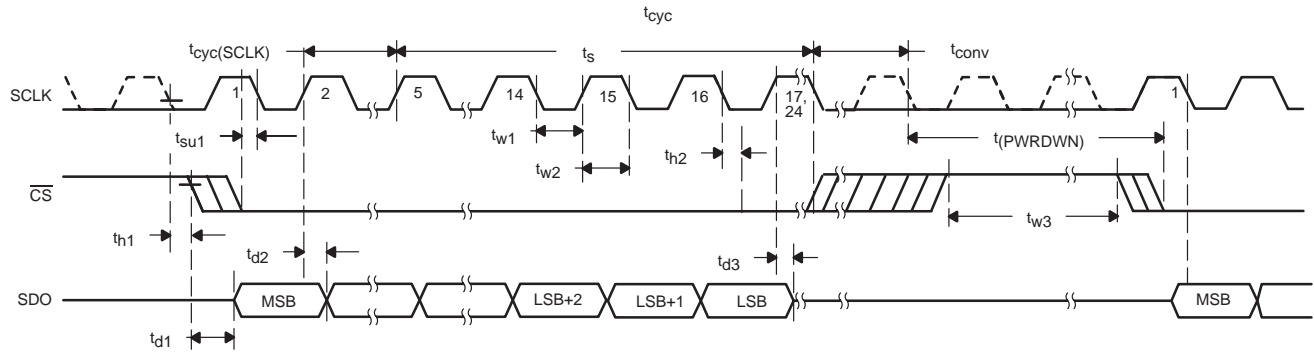


Figure 18. Critical Timing: Control Via CS Input (FS = 1 for TLC4541)

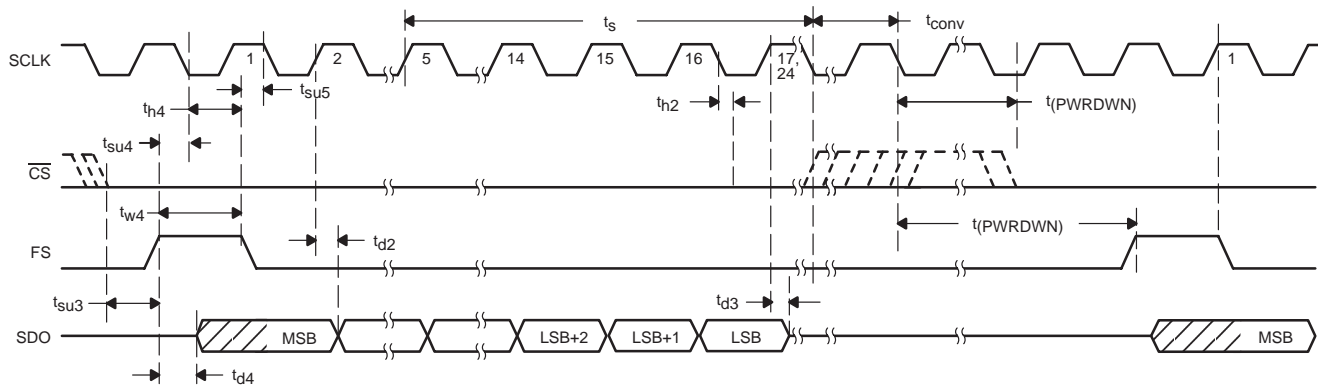


Figure 19. Critical Timing: Control Via CS and FS Inputs (TLC4541 Only)

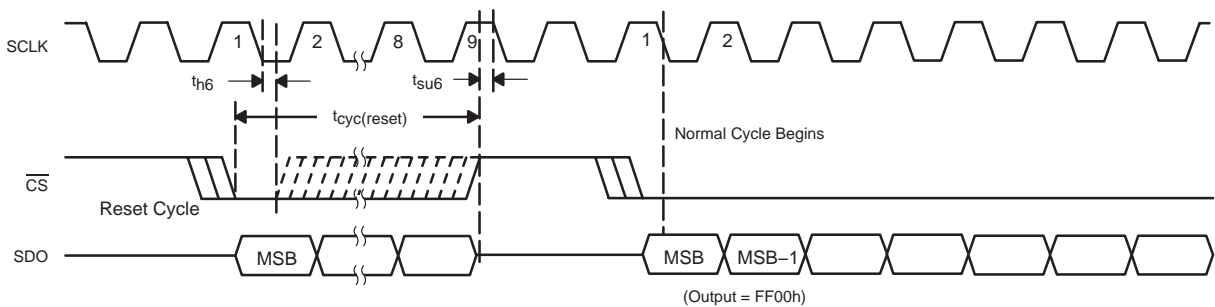


Figure 20. Critical Timing: Reset/Initialization Cycle (FS =1 for TLC4541)

PRINCIPLES OF OPERATION

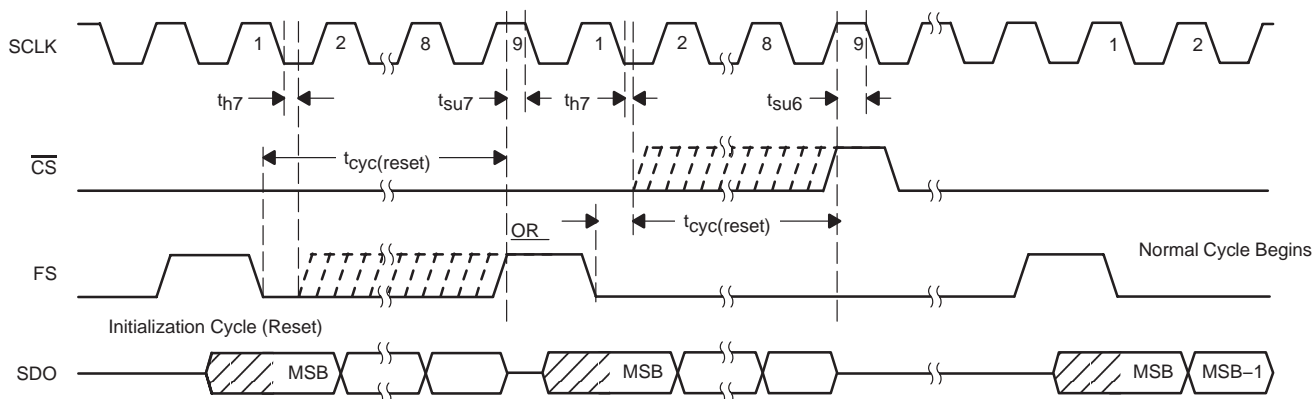


Figure 21. Critical Timing: Initialization Cycle (TLC4541 Only)

detailed description

The TLC4541/5 are successive approximation (SAR) ADCs utilizing a charge-redistribution DAC. Figure 22 shows a simplified version of the ADC. The sampling capacitor acquires the signal on AIN (or the AIN(+) pin for TLC4545) during the sampling period. When the conversion process starts, the SAR control logic and charge redistribution DAC are used to add and subtract fixed amounts of charge from the sampling capacitor to bring the comparator into a balanced condition. When the comparator is balanced, the conversion is complete and the ADC output code is generated.

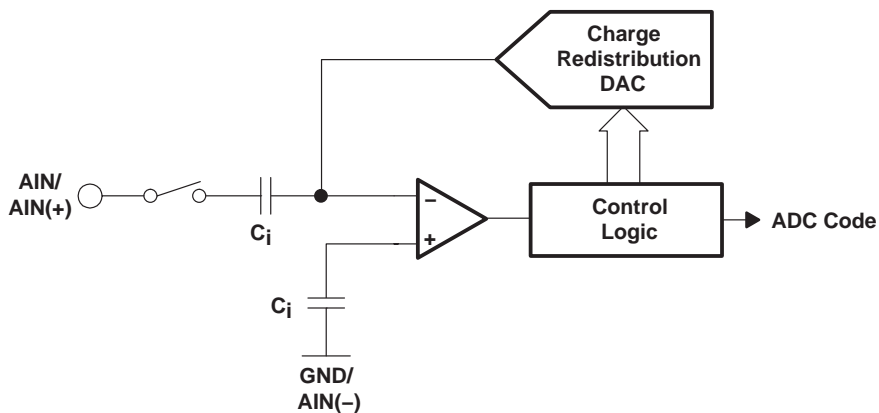


Figure 22. Simplified SAR Circuit

PRINCIPLES OF OPERATION

pseudo-differential inputs

The TLC4545 operate in pseudo-differential mode. The inverted input is available on pin 5. The inverted input can tolerate a maximum input ripple of ± 0.2 V. It is normally used for zero-scale offset cancellation or ground noise rejection.

serial interface

Output data format is binary (unipolar straight binary).

binary

- Zero Scale Code = 0000h, $V_{AIN} = GND$
- Full Scale Code = FFFFh, $V_{AIN} = V_{REF} - 1LSB$

reference voltage

An external reference must be applied via pin 2, V_{REF} . The voltage level applied to this pin establishes the upper limit of the analog inputs to produce a full-scale reading. The value of V_{REF} , and the analog input should not exceed the positive supply or be less than GND, consistent with the specified absolute maximum ratings. The digital output is at full scale when the input signal is equal to or higher than V_{REF} and at zero when the input signal is equal to or less than GND.

auto-power down and power up

Auto-power down is built into the devices in order to reduce power consumption. The wake-up time is fast enough to provide power down between each conversion cycle. The power down state is initiated at the end of conversion and wakes up on a falling \overline{CS} edge (or rising FS edge, whichever occurs first, for TLC4541 only).

APPLICATION INFORMATION

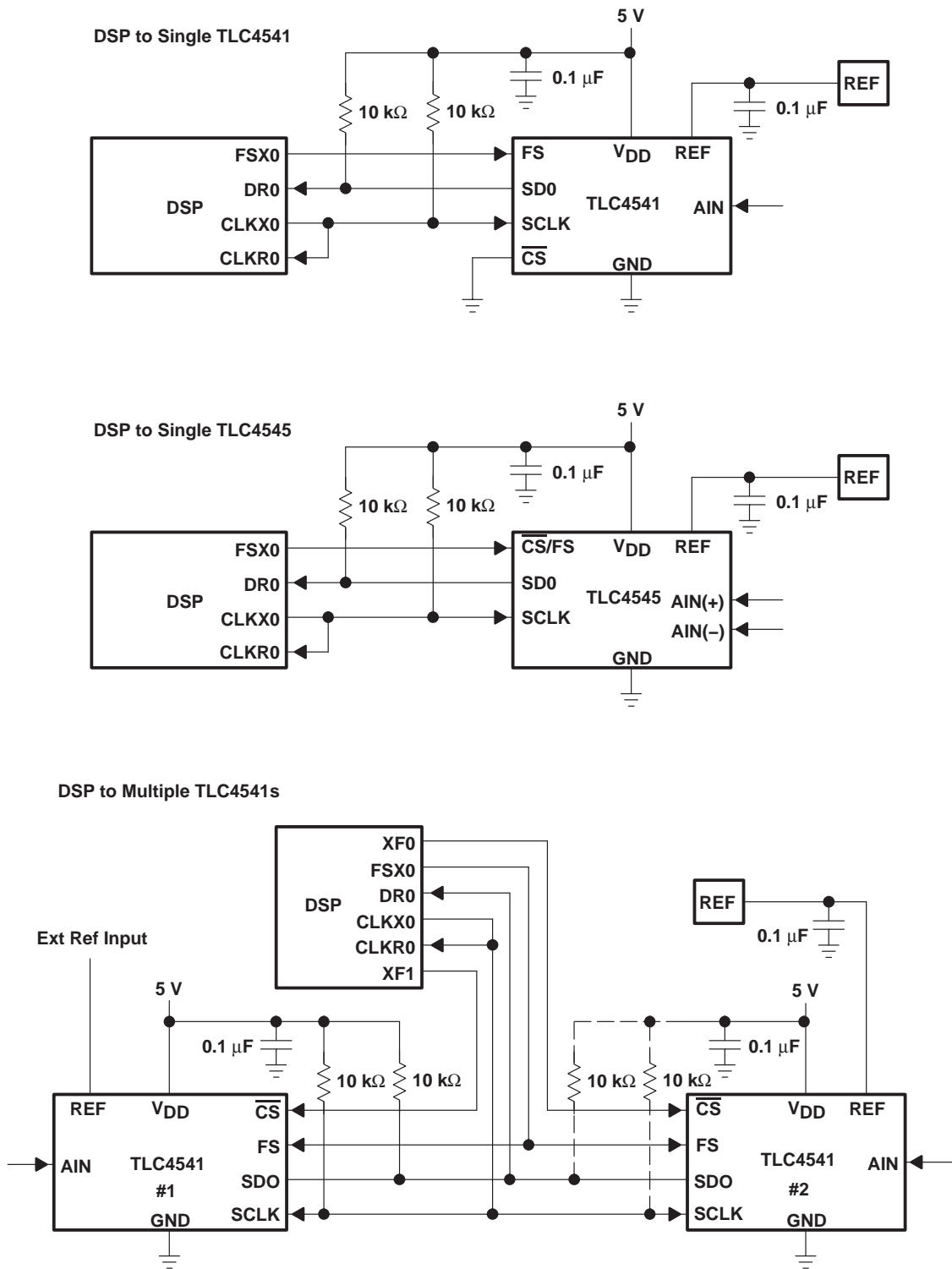


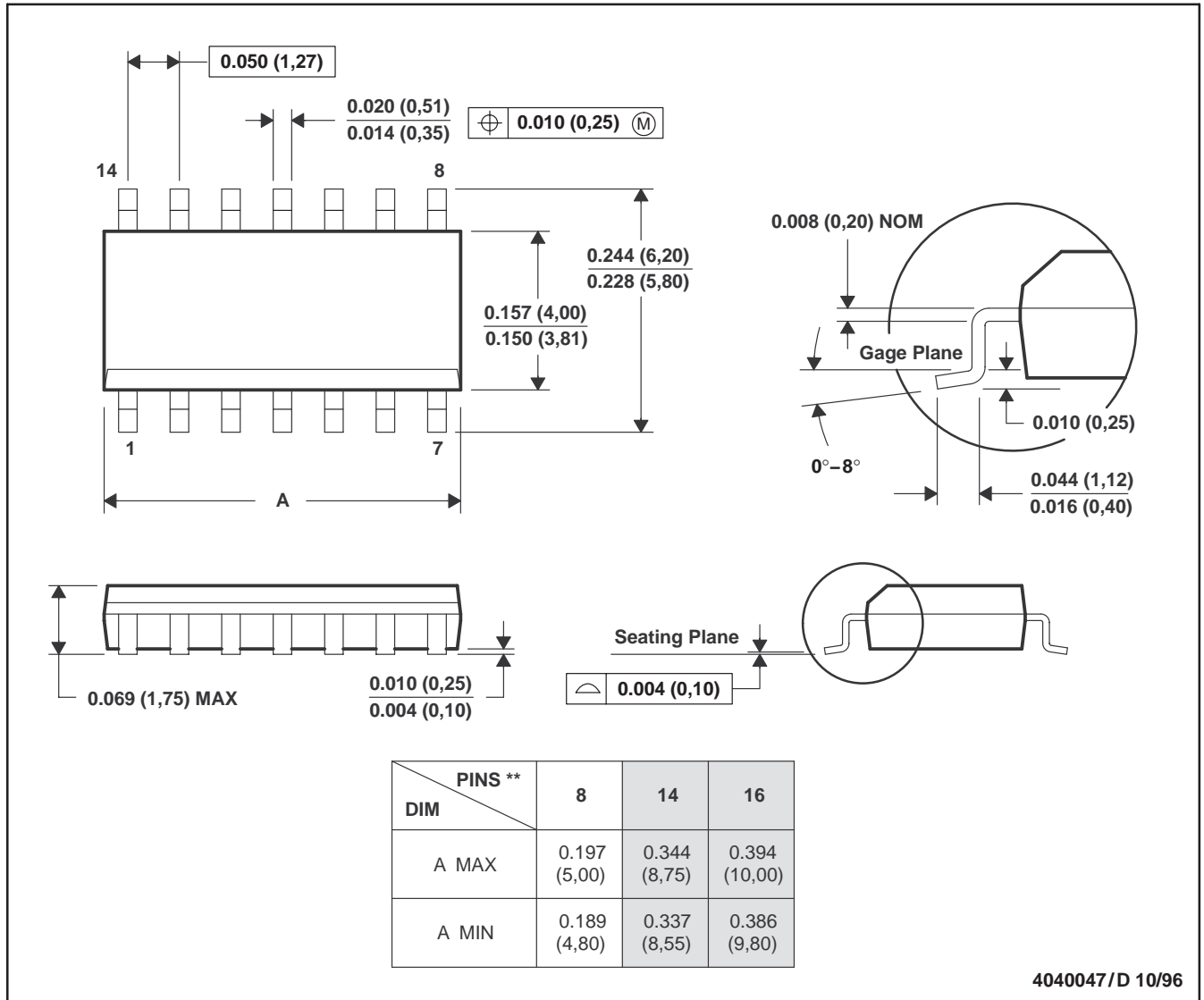
Figure 23. Typical ADC Interface to a TMS320 DSP

MECHANICAL DATA

D (R-PDSO-G**)

PLASTIC SMALL-OUTLINE PACKAGE

14 PINS SHOWN

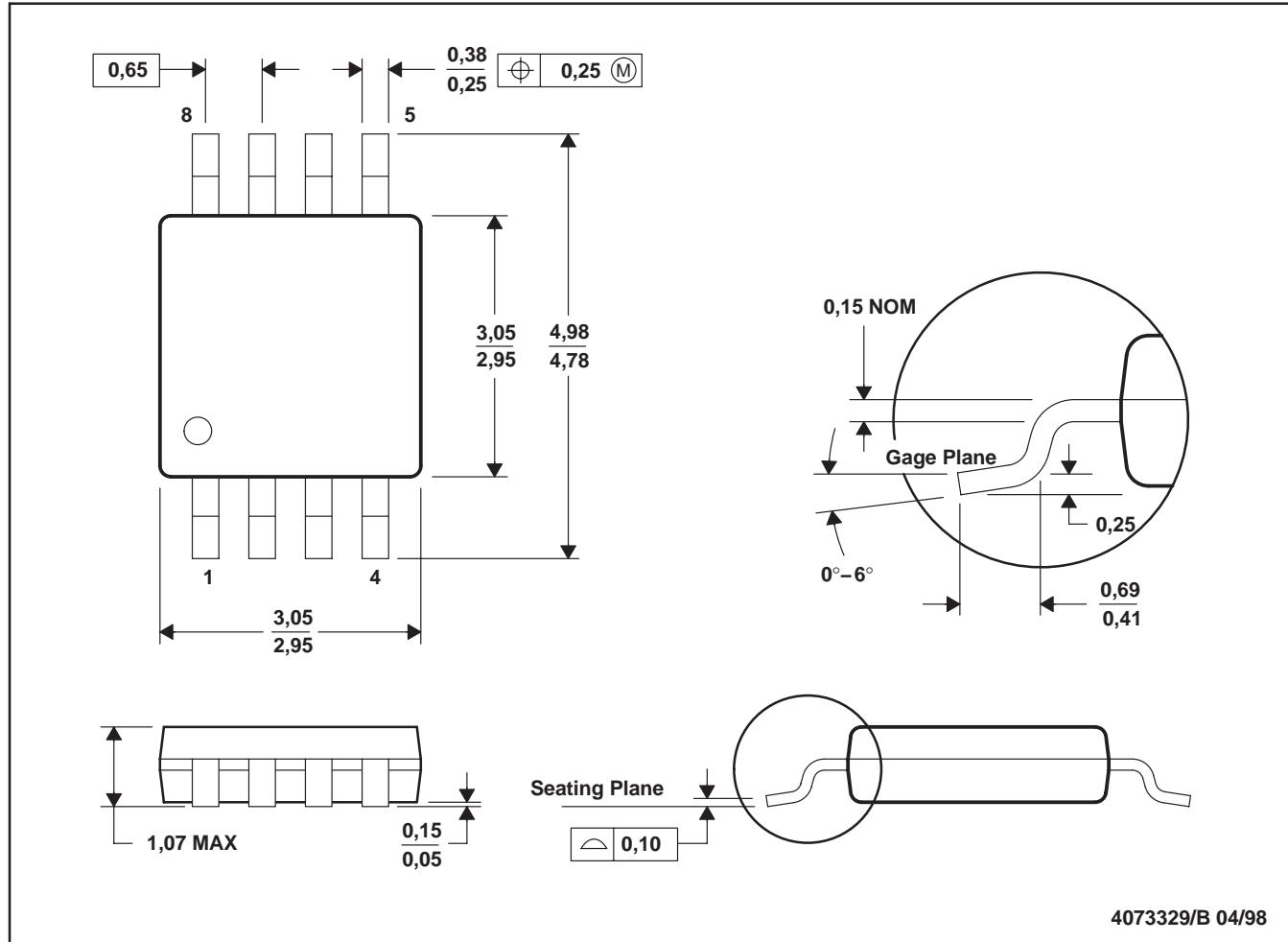


- NOTES: A. All linear dimensions are in inches (millimeters).
 B. This drawing is subject to change without notice.
 C. Body dimensions do not include mold flash or protrusion, not to exceed 0.006 (0,15).
 D. Falls within JEDEC MS-012

MECHANICAL DATA

DGK (R-PDSO-G8)

PLASTIC SMALL-OUTLINE PACKAGE



4073329/B 04/98

- NOTES: A. All linear dimensions are in millimeters.
 B. This drawing is subject to change without notice.
 C. Body dimensions do not include mold flash or protrusion.
 D. Falls within JEDEC MO-187

PACKAGING INFORMATION

Orderable Device	Status ⁽¹⁾	Package Type	Package Drawing	Pins	Package Qty	Eco Plan ⁽²⁾	Lead/Ball Finish	MSL Peak Temp ⁽³⁾
TLC4541ID	ACTIVE	SOIC	D	8	75	Green (RoHS & no Sb/Br)	CU NIPDAU	Level-1-260C-UNLIM
TLC4541IDG4	ACTIVE	SOIC	D	8	75	Green (RoHS & no Sb/Br)	CU NIPDAU	Level-1-260C-UNLIM
TLC4541IDGK	ACTIVE	MSOP	DGK	8	80	Green (RoHS & no Sb/Br)	CU NIPDAU	Level-1-260C-UNLIM
TLC4541IDGKG4	ACTIVE	MSOP	DGK	8	80	Green (RoHS & no Sb/Br)	CU NIPDAU	Level-1-260C-UNLIM
TLC4541IDGKR	ACTIVE	MSOP	DGK	8	2500	Green (RoHS & no Sb/Br)	CU NIPDAU	Level-1-260C-UNLIM
TLC4541IDGKRG4	ACTIVE	MSOP	DGK	8	2500	Green (RoHS & no Sb/Br)	CU NIPDAU	Level-1-260C-UNLIM
TLC4545ID	ACTIVE	SOIC	D	8	75	Green (RoHS & no Sb/Br)	CU NIPDAU	Level-1-260C-UNLIM
TLC4545IDG4	ACTIVE	SOIC	D	8	75	Green (RoHS & no Sb/Br)	CU NIPDAU	Level-1-260C-UNLIM
TLC4545IDGK	ACTIVE	MSOP	DGK	8	80	Green (RoHS & no Sb/Br)	CU NIPDAU	Level-1-260C-UNLIM
TLC4545IDGKG4	ACTIVE	MSOP	DGK	8	80	Green (RoHS & no Sb/Br)	CU NIPDAU	Level-1-260C-UNLIM
TLC4545IDR	ACTIVE	SOIC	D	8	2500	Green (RoHS & no Sb/Br)	CU NIPDAU	Level-1-260C-UNLIM
TLC4545IDRG4	ACTIVE	SOIC	D	8	2500	Green (RoHS & no Sb/Br)	CU NIPDAU	Level-1-260C-UNLIM

⁽¹⁾ The marketing status values are defined as follows:

ACTIVE: Product device recommended for new designs.

LIFEBUY: TI has announced that the device will be discontinued, and a lifetime-buy period is in effect.

NRND: Not recommended for new designs. Device is in production to support existing customers, but TI does not recommend using this part in a new design.

PREVIEW: Device has been announced but is not in production. Samples may or may not be available.

OBSOLETE: TI has discontinued the production of the device.

⁽²⁾ Eco Plan - The planned eco-friendly classification: Pb-Free (RoHS), Pb-Free (RoHS Exempt), or Green (RoHS & no Sb/Br) - please check <http://www.ti.com/productcontent> for the latest availability information and additional product content details.

TBD: The Pb-Free/Green conversion plan has not been defined.

Pb-Free (RoHS): TI's terms "Lead-Free" or "Pb-Free" mean semiconductor products that are compatible with the current RoHS requirements for all 6 substances, including the requirement that lead not exceed 0.1% by weight in homogeneous materials. Where designed to be soldered at high temperatures, TI Pb-Free products are suitable for use in specified lead-free processes.

Pb-Free (RoHS Exempt): This component has a RoHS exemption for either 1) lead-based flip-chip solder bumps used between the die and package, or 2) lead-based die adhesive used between the die and leadframe. The component is otherwise considered Pb-Free (RoHS compatible) as defined above.

Green (RoHS & no Sb/Br): TI defines "Green" to mean Pb-Free (RoHS compatible), and free of Bromine (Br) and Antimony (Sb) based flame retardants (Br or Sb do not exceed 0.1% by weight in homogeneous material)

⁽³⁾ MSL, Peak Temp. -- The Moisture Sensitivity Level rating according to the JEDEC industry standard classifications, and peak solder temperature.

Important Information and Disclaimer: The information provided on this page represents TI's knowledge and belief as of the date that it is provided. TI bases its knowledge and belief on information provided by third parties, and makes no representation or warranty as to the accuracy of such information. Efforts are underway to better integrate information from third parties. TI has taken and continues to take reasonable steps to provide representative and accurate information but may not have conducted destructive testing or chemical analysis on incoming materials and chemicals. TI and TI suppliers consider certain information to be proprietary, and thus CAS numbers and other limited information may not be available for release.

In no event shall TI's liability arising out of such information exceed the total purchase price of the TI part(s) at issue in this document sold by TI to Customer on an annual basis.

TAPE AND REEL INFORMATION



QUADRANT ASSIGNMENTS FOR PIN 1 ORIENTATION IN TAPE



*All dimensions are nominal

Device	Package Type	Package Drawing	Pins	SPQ	Reel Diameter (mm)	Reel Width W1 (mm)	A0 (mm)	B0 (mm)	K0 (mm)	P1 (mm)	W (mm)	Pin1 Quadrant
TLC4541IDGKR	MSOP	DGK	8	2500	330.0	12.4	5.3	3.4	1.4	8.0	12.0	Q1
TLC4545IDR	SOIC	D	8	2500	330.0	12.4	6.4	5.2	2.1	8.0	12.0	Q1

TAPE AND REEL BOX DIMENSIONS

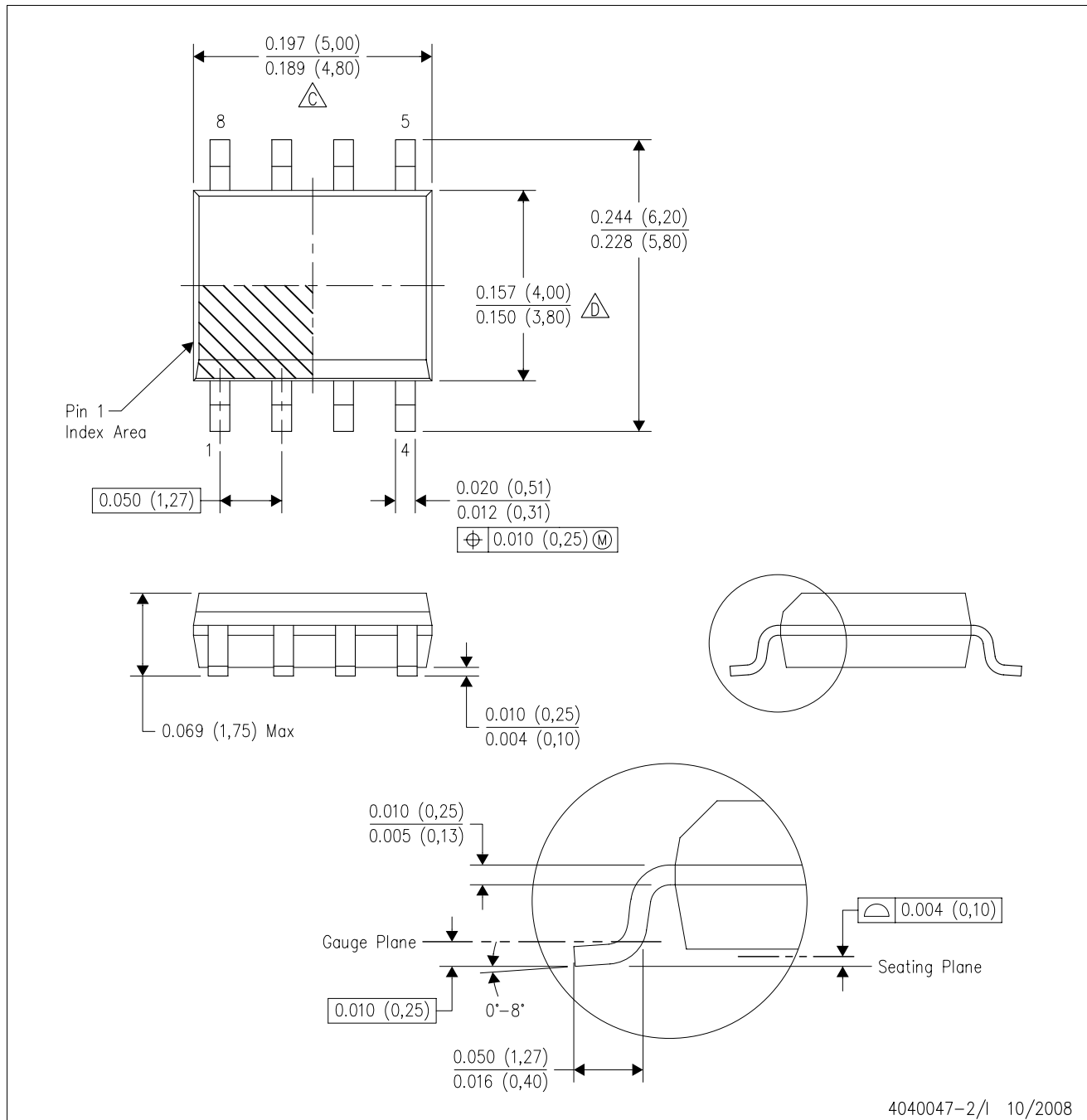


*All dimensions are nominal

Device	Package Type	Package Drawing	Pins	SPQ	Length (mm)	Width (mm)	Height (mm)
TLC4541IDGKR	MSOP	DGK	8	2500	346.0	346.0	29.0
TLC4545IDR	SOIC	D	8	2500	346.0	346.0	29.0

D (R-PDSO-G8)

PLASTIC SMALL-OUTLINE PACKAGE



- NOTES:
- A. All linear dimensions are in inches (millimeters).
 - B. This drawing is subject to change without notice.
 - C. Body length does not include mold flash, protrusions, or gate burrs. Mold flash, protrusions, or gate burrs shall not exceed .006 (0,15) per end.
 - D. Body width does not include interlead flash. Interlead flash shall not exceed .017 (0,43) per side.
 - E. Reference JEDEC MS-012 variation AA.

DGK (S-PDSO-G8)

PLASTIC SMALL-OUTLINE PACKAGE



- NOTES:
- A. All linear dimensions are in millimeters.
 - B. This drawing is subject to change without notice.
 - C. Body length does not include mold flash, protrusions, or gate burrs. Mold flash, protrusions, or gate burrs shall not exceed 0.15 per end.
 - D. Body width does not include interlead flash. Interlead flash shall not exceed 0.50 per side.
 - E. Falls within JEDEC MO-187 variation AA, except interlead flash.

IMPORTANT NOTICE

Texas Instruments Incorporated and its subsidiaries (TI) reserve the right to make corrections, modifications, enhancements, improvements, and other changes to its products and services at any time and to discontinue any product or service without notice. Customers should obtain the latest relevant information before placing orders and should verify that such information is current and complete. All products are sold subject to TI's terms and conditions of sale supplied at the time of order acknowledgment.

TI warrants performance of its hardware products to the specifications applicable at the time of sale in accordance with TI's standard warranty. Testing and other quality control techniques are used to the extent TI deems necessary to support this warranty. Except where mandated by government requirements, testing of all parameters of each product is not necessarily performed.

TI assumes no liability for applications assistance or customer product design. Customers are responsible for their products and applications using TI components. To minimize the risks associated with customer products and applications, customers should provide adequate design and operating safeguards.

TI does not warrant or represent that any license, either express or implied, is granted under any TI patent right, copyright, mask work right, or other TI intellectual property right relating to any combination, machine, or process in which TI products or services are used. Information published by TI regarding third-party products or services does not constitute a license from TI to use such products or services or a warranty or endorsement thereof. Use of such information may require a license from a third party under the patents or other intellectual property of the third party, or a license from TI under the patents or other intellectual property of TI.

Reproduction of TI information in TI data books or data sheets is permissible only if reproduction is without alteration and is accompanied by all associated warranties, conditions, limitations, and notices. Reproduction of this information with alteration is an unfair and deceptive business practice. TI is not responsible or liable for such altered documentation. Information of third parties may be subject to additional restrictions.

Resale of TI products or services with statements different from or beyond the parameters stated by TI for that product or service voids all express and any implied warranties for the associated TI product or service and is an unfair and deceptive business practice. TI is not responsible or liable for any such statements.

TI products are not authorized for use in safety-critical applications (such as life support) where a failure of the TI product would reasonably be expected to cause severe personal injury or death, unless officers of the parties have executed an agreement specifically governing such use. Buyers represent that they have all necessary expertise in the safety and regulatory ramifications of their applications, and acknowledge and agree that they are solely responsible for all legal, regulatory and safety-related requirements concerning their products and any use of TI products in such safety-critical applications, notwithstanding any applications-related information or support that may be provided by TI. Further, Buyers must fully indemnify TI and its representatives against any damages arising out of the use of TI products in such safety-critical applications.

TI products are neither designed nor intended for use in military/aerospace applications or environments unless the TI products are specifically designated by TI as military-grade or "enhanced plastic." Only products designated by TI as military-grade meet military specifications. Buyers acknowledge and agree that any such use of TI products which TI has not designated as military-grade is solely at the Buyer's risk, and that they are solely responsible for compliance with all legal and regulatory requirements in connection with such use.

TI products are neither designed nor intended for use in automotive applications or environments unless the specific TI products are designated by TI as compliant with ISO/TS 16949 requirements. Buyers acknowledge and agree that, if they use any non-designated products in automotive applications, TI will not be responsible for any failure to meet such requirements.

Following are URLs where you can obtain information on other Texas Instruments products and application solutions:

Products

Amplifiers	amplifier.ti.com
Data Converters	dataconverter.ti.com
DSP	dsp.ti.com
Clocks and Timers	www.ti.com/clocks
Interface	interface.ti.com
Logic	logic.ti.com
Power Mgmt	power.ti.com
Microcontrollers	microcontroller.ti.com
RFID	www.ti-rfid.com
RF/IF and ZigBee® Solutions	www.ti.com/lprf

Applications

Audio	www.ti.com/audio
Automotive	www.ti.com/automotive
Broadband	www.ti.com/broadband
Digital Control	www.ti.com/digitalcontrol
Medical	www.ti.com/medical
Military	www.ti.com/military
Optical Networking	www.ti.com/opticalnetwork
Security	www.ti.com/security
Telephony	www.ti.com/telephony
Video & Imaging	www.ti.com/video
Wireless	www.ti.com/wireless

Mailing Address: Texas Instruments, Post Office Box 655303, Dallas, Texas 75265
Copyright © 2008, Texas Instruments Incorporated